

ARS301 Series

Manual Rotary Positioning Stage

360° rotation

Excellent thermal stability

Patented sub-arc-second resolution drive



The ARS301 stage is a precise rotary positioner featuring Aerotech's patented sub-arc-second resolution drive mechanism. By depressing the release plunger, the rotary ring of the ARS301 can be quickly positioned to the approximate desired angle. It can then be fine-tuned with either the coarse or fine adjustment knob over a range of 10 degrees or 30 minutes, respectively. The fine thimble has a 32-division reference scale for convenience in positioning.

An engraved dial with a six-minute vernier is standard on all tabletops. Due to the absence of any gearing in the ARS301's drive mechanism, the stage is backlash free.

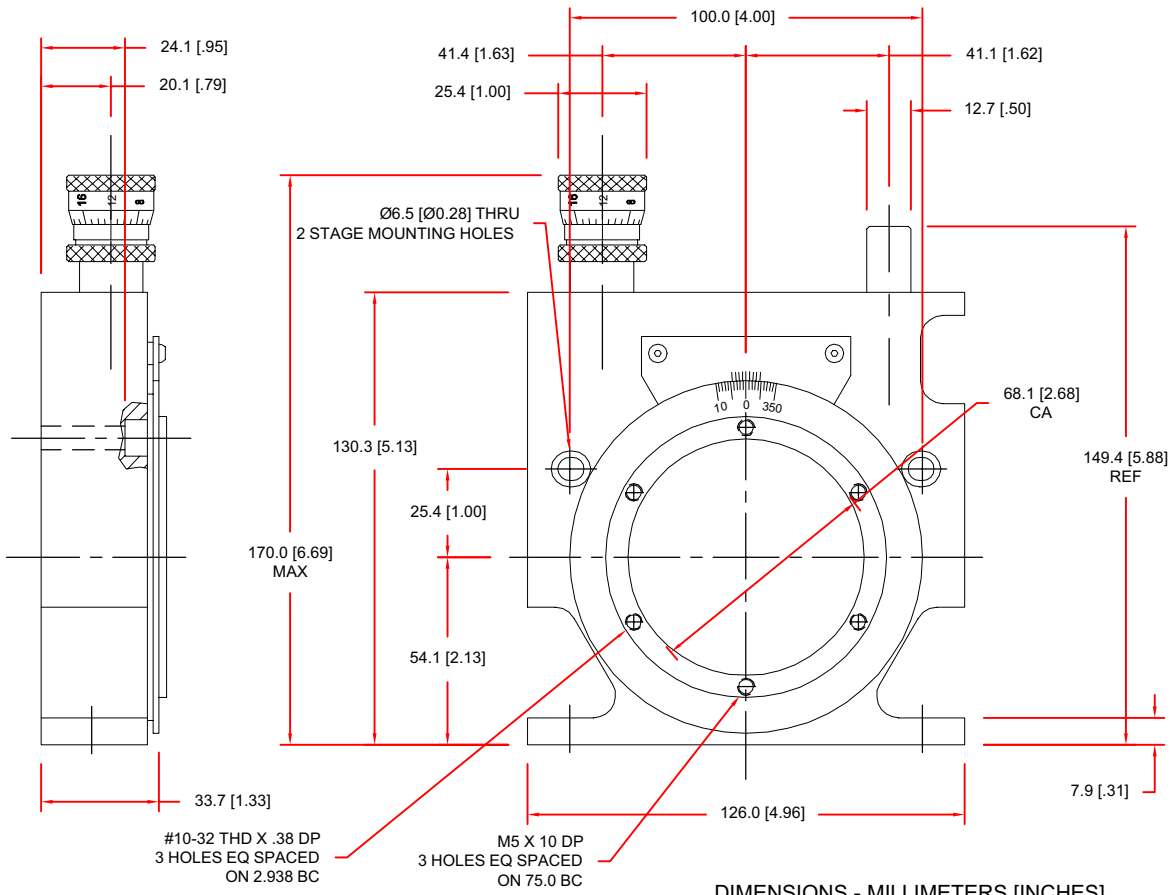
The ARS301 has a 68 mm (2.68 in) clear aperture. If a solid mounting surface is required, the ARS301TT is available. The ARS301TT has a grid of M6 mounting holes on 25 mm centers. The ARS301 is made of aluminum with a black anodized finish and weighs 1.36 kg (3 lb).

| ARS301 | | |
|--------------------------------|------------|--------------------|
| Thimble Graduation | | 2.54 arc-second |
| Max Load | Horizontal | 11.36 kg (25 lb) |
| | Vertical | 6.82 kg (15 lb) |
| 360° Dial and 6 Minute Vernier | | Standard |
| Clear Aperture | | 68.07 mm (2.68 in) |

ARS Series Rotary

| | |
|----------|---|
| ARS301 | Rotary positioning table with Aerotech patented differential screw drive and 68 mm (2.68 in) clear aperture |
| ARS301TT | Tabletop for ARS301 with metric hole pattern |

ARS301 Series DIMENSIONS



DIMENSIONS - MILLIMETERS [INCHES]

